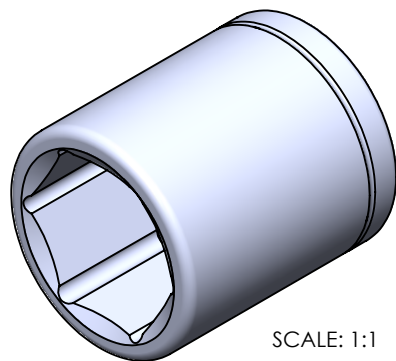
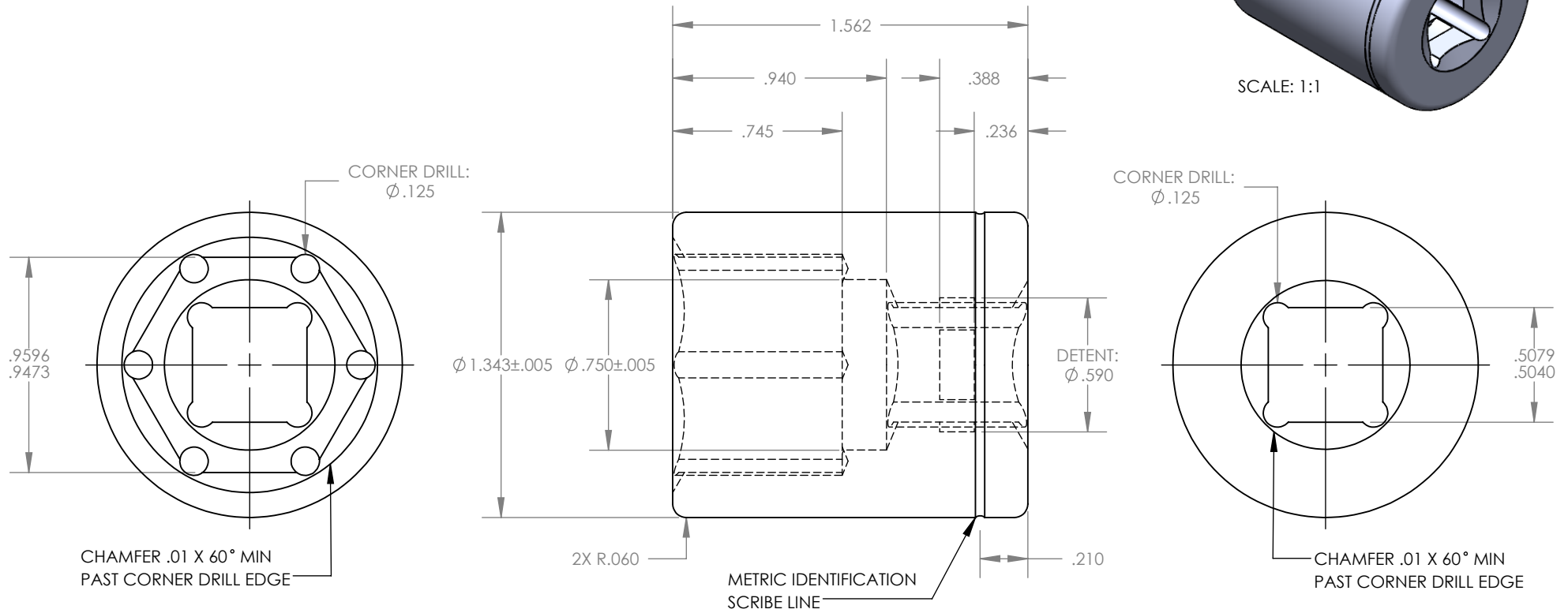


SCALE: 1:1



SCALE: 1:1

UNLESS OTHERWISE SPECIFIED: DIMENSIONS ARE IN INCHES			TOLERANCES: X.XX= ± 0.13 X.XXX= ± 0.015 X.XXXX= -0.0015
DRAWN	NAME	SIGN	DATE
APPVD	A.T.		07.12.19

MATERIAL: 17-4 MAGNETIC S.S.

THIS DRAWING IS THE PROPERTY OF STERITool, INC. ANY REPRODUCTIONS OR MODIFICATIONS OF THIS DRAWING OR ITS CONTENTS WITHOUT THE CONSENT OF STERITool, INC. IS PROHIBITED.



TITLE: 24.0MM X 1/2" DRIVE SOCKET	
PART NO. 12824	REV: A
SCALE: 1.5:1	SHEET 1 OF 1